

# Technical data sheet

Product features



## Food display island chilled, adjustable GN 4-1/1 Hemlock

<b>Model</b>	<b>SAP Code</b>	00012184
--------------	-----------------	----------



- Buffet type: BLUE - cooled, dynamic cooling
- Device properties: Chilled
- Number of GN / EN: 4
- GN / EN size in device: GN 1/1
- GN device depth: 200
- Minimum device temperature [°C]: 4
- Maximum device temperature [°C]: 8

<b>SAP Code</b>	00012184	<b>Loading</b>	230 V / 1N - 50 Hz
<b>Net Width [mm]</b>	1494	<b>Number of GN / EN</b>	4
<b>Net Depth [mm]</b>	760	<b>GN / EN size in device</b>	GN 1/1
<b>Net Height [mm]</b>	1488	<b>GN device depth</b>	200
<b>Net Weight [kg]</b>	189.70	<b>Minimum device temperature [°C]</b>	4
<b>Power electric [kW]</b>	0.494	<b>Maximum device temperature [°C]</b>	8

# Technical data sheet

Technical drawing

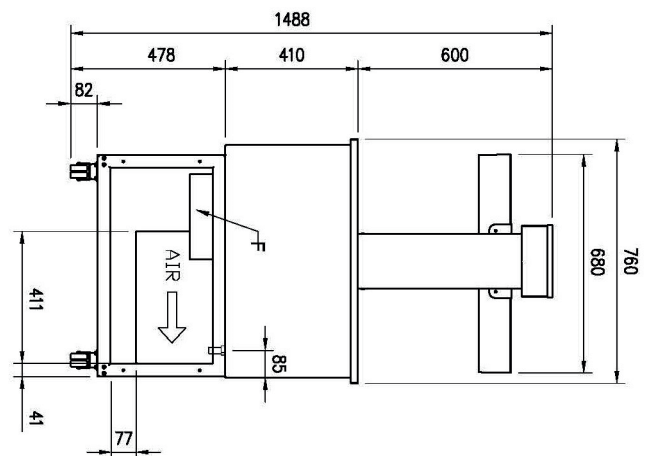
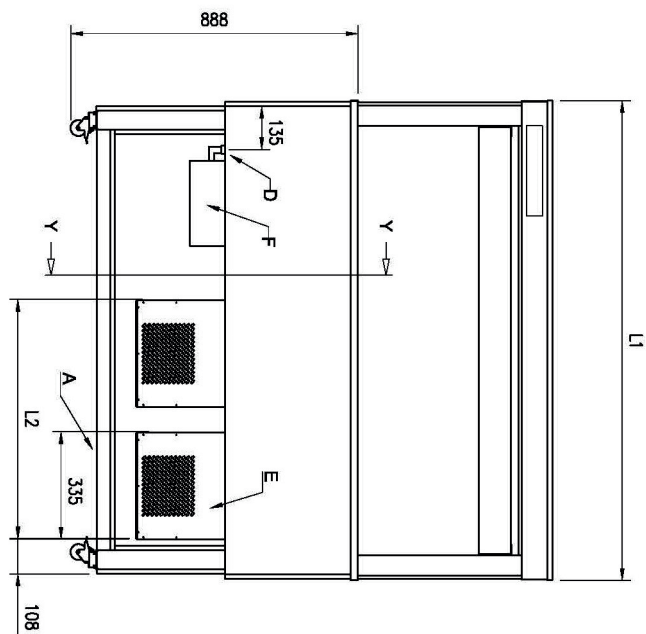
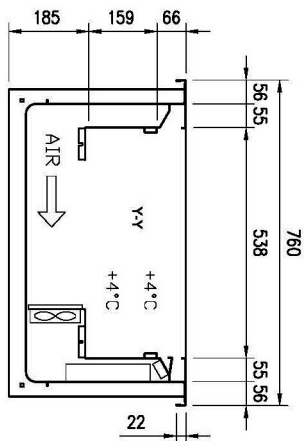
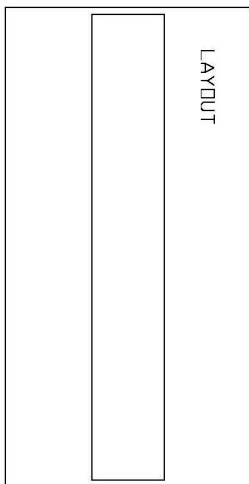


Food display island chilled, adjustable GN 4-1/1 Hemlock

<b>Model</b>	<b>SAP Code</b>	00012184
--------------	-----------------	----------

A= ELECTRICAL CONNECTION  
 D= WATER DISCHARGE ø16  
 E= GAS CONNECTION ø8 ø10  
 F= WATER BOX

GN	L1	L2
4/1	1494	744
6/1	2144	1069



# Technical data sheet

## Product benefits



### Food display island chilled, adjustable GN 4-1/1 Hemlock

Model

SAP Code

00012184

1

#### Dynamic cooling

- constant temperature in all places of the refrigerated space
- greater hygienic safety of chilled food

2

#### Breathing screen with electric drive

- the possibility of easily covering the food
- higher hygienic safety
  - ease of use
  - attractiveness

3

#### LED lighting

- minimal energy consumption
- economical lighting
  - attractive appearance

4

#### Removable evaporator filter

- easy disassembly
- time saving for cleaning

5

#### All-stainless steel construction

- harmless to health for contact with food  
robustness
- perfect sanitation
  - long service life

6

#### Rounded corners

- basins without sharp edges and corners
- higher hygienic safety
  - time saving due to easy cleaning

7

#### GN insertion up to 2mm

- variability of use
- possibility of cooling different types of food and larger volumes
  - saving time, space, costs

8

#### Travel wheels

- portable buffet table
- greater flexibility in dispensing
  - possibility of use at banquets
  - easier and safer handling

9

#### Breathing galley with trigger

- galerka made of hygienic Plexiglas with motorized displacement
- hygienic food protection
  - the possibility of sealing before dispensing - extending the shelf life of food

# Technical data sheet

Technical parameters



Food display island chilled, adjustable GN 4-1/1 Hemlock

Model

SAP Code

00012184

**1. SAP Code:**

00012184

**2. Net Width [mm]:**

1494

**3. Net Depth [mm]:**

760

**4. Net Height [mm]:**

1488

**5. Net Weight [kg]:**

189.70

**6. Gross Width [mm]:**

1558

**7. Gross depth [mm]:**

860

**8. Gross Height [mm]:**

1595

**9. Gross Weight [kg]:**

190.00

**10. Device type:**

Electric unit

**11. Material:**

Stainless steel

**12. Buffet type:**

BLUE - cooled, dynamic cooling

**13. Device properties:**

Chilled

**14. Exterior color of the device:**

RAL

**15. Power electric [kW]:**

0.494

**16. Loading:**

230 V / 1N - 50 Hz

**17. Number of GN / EN:**

4

**18. GN / EN size in device:**

GN 1/1

**19. GN device depth:**

200

**20. Minimum device temperature [°C]:**

4

**21. Maximum device temperature [°C]:**

8

**22. Interior lighting:**

No